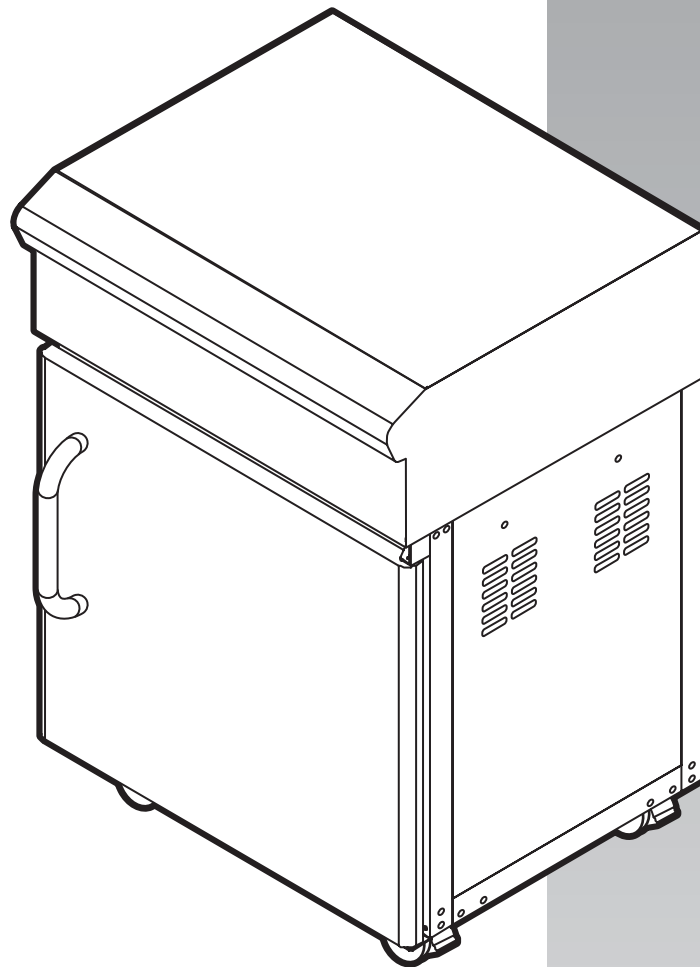


storage module



- Ⓘ Ⓒ Assembly instructions
- Ⓒ Ⓕ Instructions d'assemblage
- Ⓐ Ⓒ Ⓓ Montageanweisungen
- Ⓒ Ⓘ Istruzioni per il montaggio
- Ⓐ Ⓑ Ⓐ Montage-instructies
- Ⓐ Montering
- Ⓕ Kokoamisohjeet
- Ⓐ Instrucciones de armado
- Ⓐ Instruções para Montagem
- Ⓓ Monteringsvejledning
- Ⓐ Montering

freedom 420
freedom 425

PARTS LIST

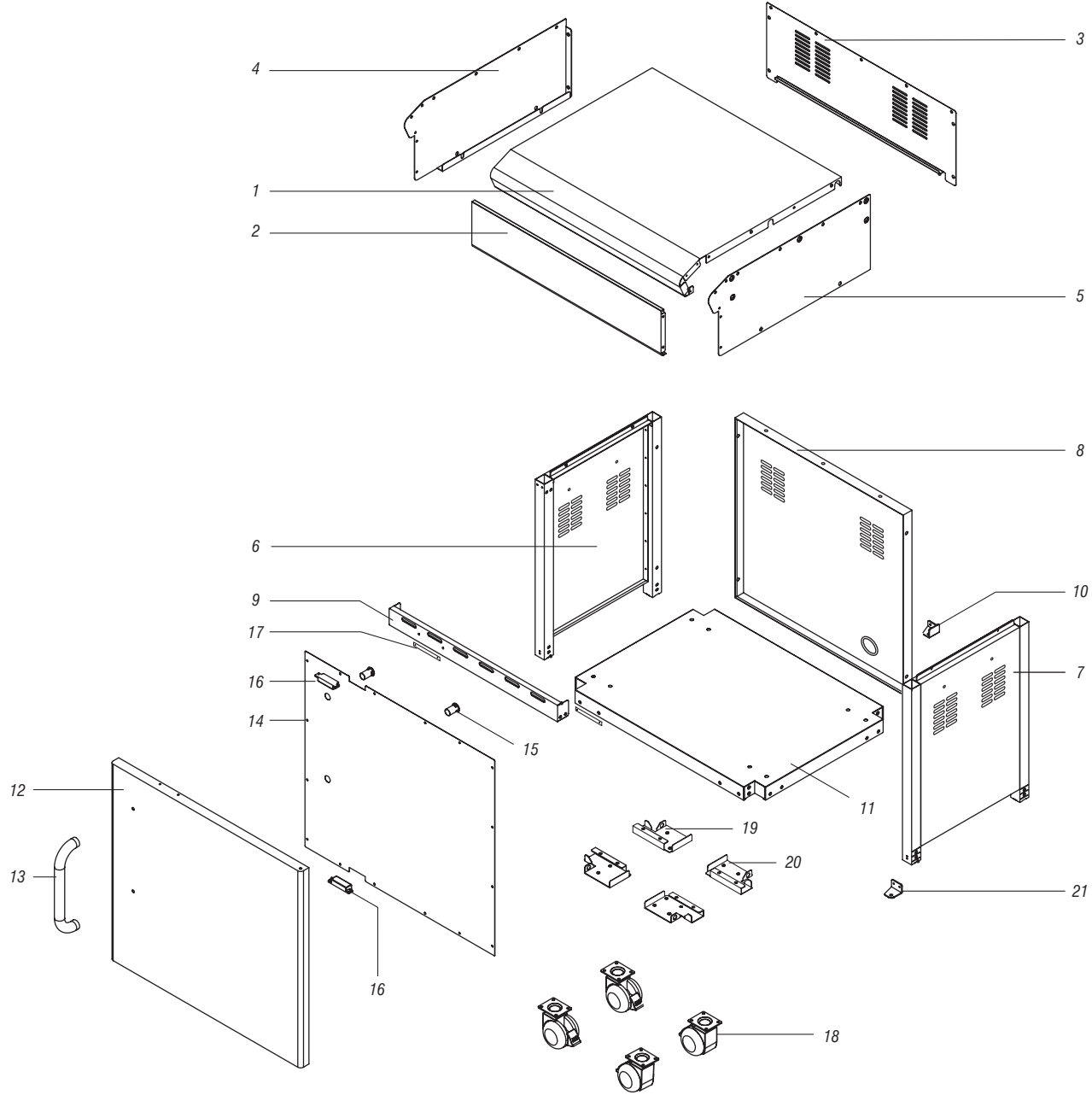
Ref	Description	Freedom 420 Part #	Qty	Freedom 425 Part #	Qty
1	Head panel – <i>top</i>	P01007006C	1	P01007006C	1
2	Front panel – <i>with screenprint</i>	P02913031C	1	P02913031B	1
3	Head panel – <i>rear</i>	P00725711B	1	P00725711B	1
4	Head panel – <i>left</i>	P00720715B	1	P00720715B	1
5	Head panel – <i>right</i>	P00721715B	1	P00721715B	1
6	Trolley panel – <i>left</i>	P07605013B	1	P07605013B	1
7	Trolley panel – <i>right</i>	P07618013B	1	P07618013B	1
8	Trolley panel – <i>rear</i>	P07702057B	1	P07702057B	1
9	Trolley bracket – <i>front</i>	P03305015D	1	P03305015D	1
10	Door hinge – <i>top right</i>	P03313002D	1	P03313002D	1
11	Trolley bottom shelf	P01002052D	1	P01002052D	1
12	Door	P04304001B	1	P04301019A	1
13	Door handle	P00205029B	1	P00205029B	1
14	Door trim plate	P07510002B	1	P07510002E	1
15	Door spacer	P06801010G	2	P06801010G	2
16	Door magnet	P05523002K	2	P05523002K	2
17	Door stop plate	P05510002B	2	P05510002B	2
18	3" castor	P05119001A	4	P05119001A	4
19	Castor seat – <i>left rear, right front</i>	P05327008G	2	P05327008G	2
20	Castor seat – <i>left front, right rear</i>	P05327007G	2	P05327007G	2
21	Door hinge – <i>bottom right</i>	P03313003D	1	P03313003D	1
	Hardware pack	P06003076A	1	P06003076A	1

PARTS DIAGRAM

This diagram is provided to assist you identify parts if replacement is necessary.

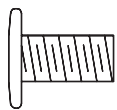
Contact the place of purchase to enquire about parts, availability and / or service.

Items included in the storage module specification may differ from parts list, depending on region or specific dealer specification.

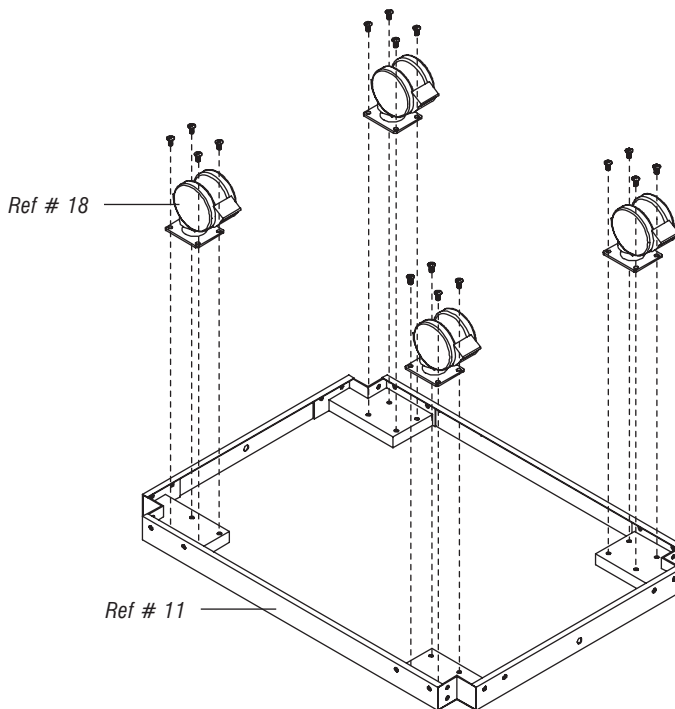


ASSEMBLY

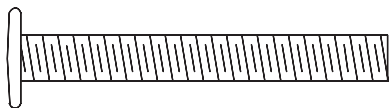
1



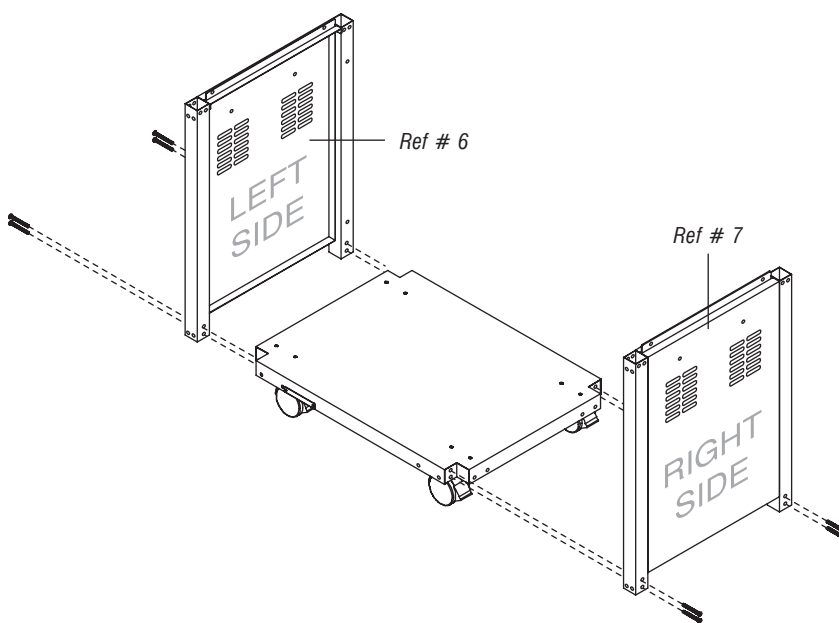
Phillips flat-head screw 1/4" x 1/2"
Qty. 16



2

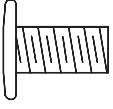


Phillips flat-head screw 1/4" x 2"
Qty: 8

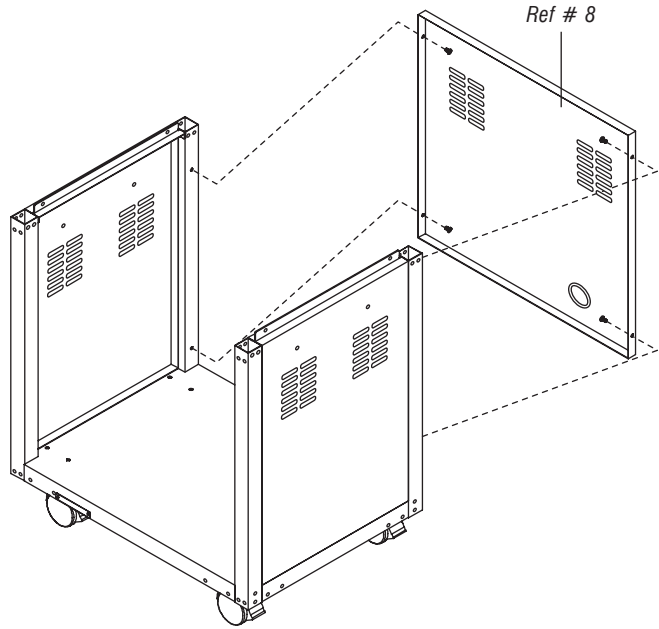


4

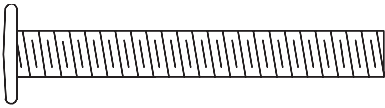
3



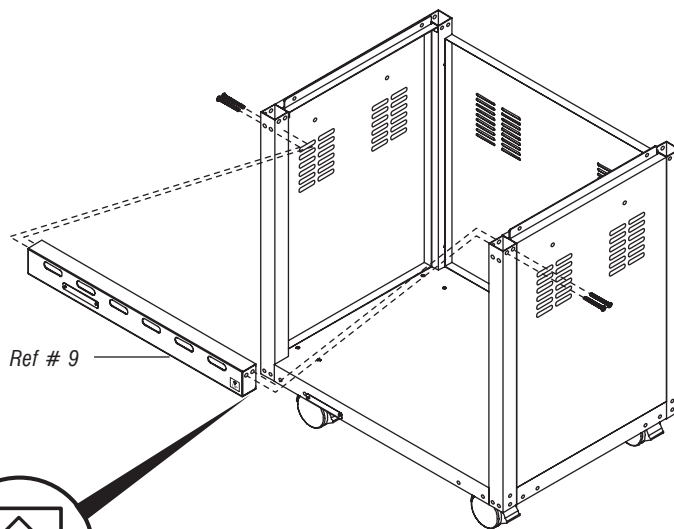
Phillips flat-head screw 1/4" x 1/2"
Qty: 4



4

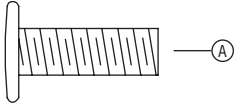


Phillips flat-head screw 1/4" x 2"
Qty: 4

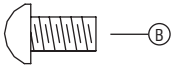


5

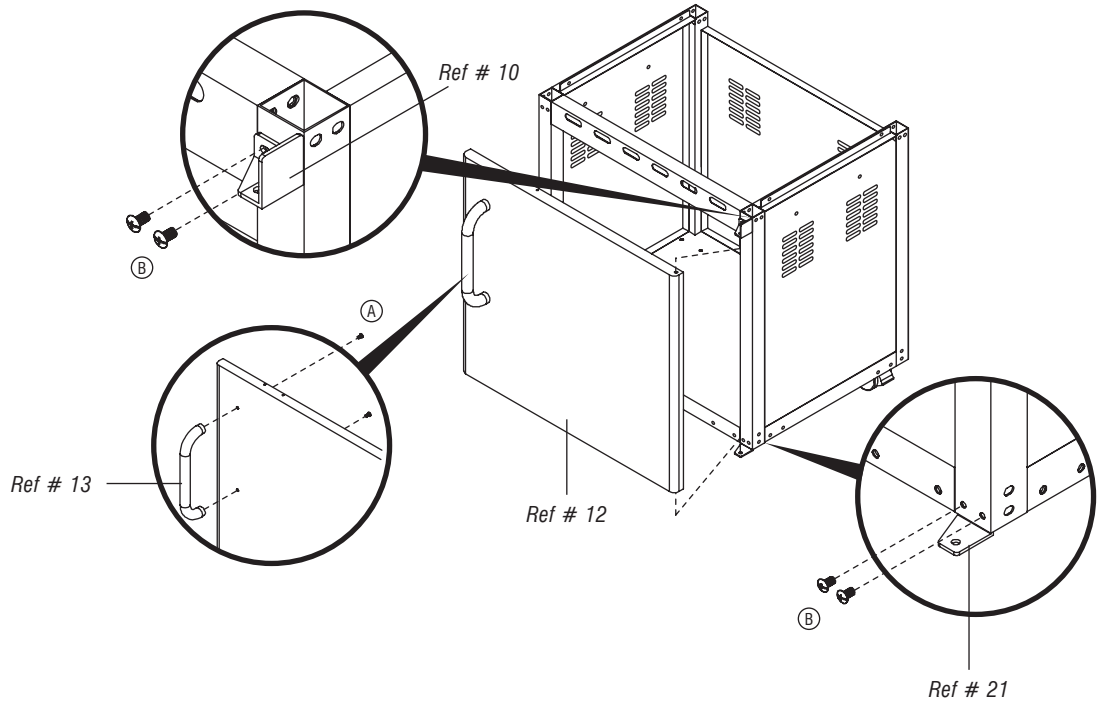
5



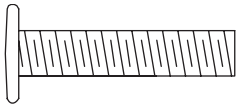
Door handles
Phillips flat-head screw $\frac{1}{4}$ " x $\frac{3}{4}$ "
(Stainless steel) Qty: 2



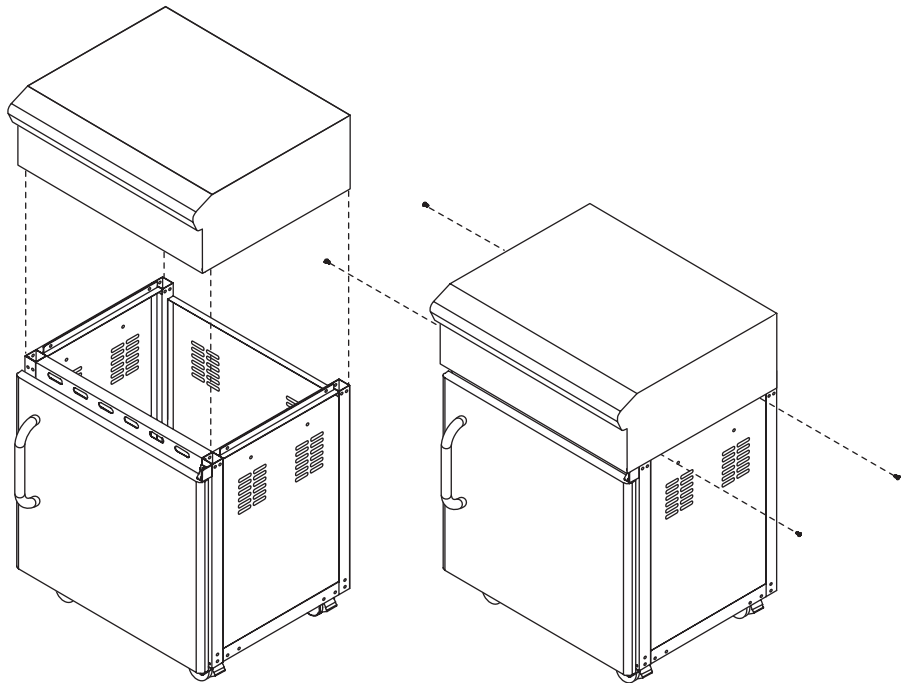
Door hinges
Phillips-head screw $\frac{3}{16}$ " x $\frac{3}{8}$ "
Qty: 4



6



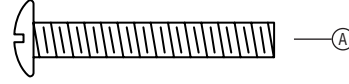
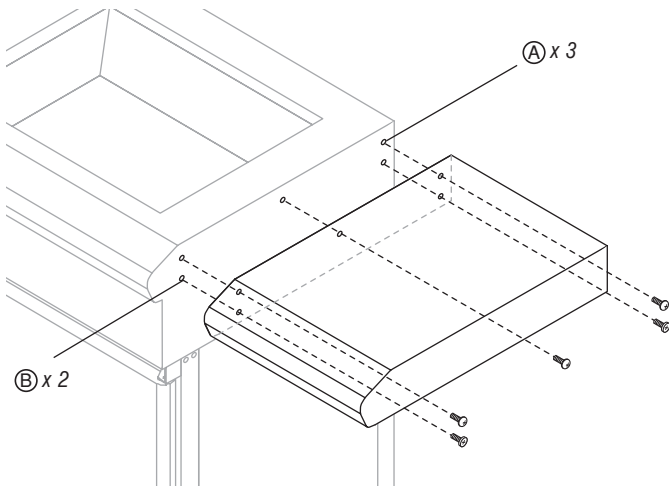
Barbecue body to trolley
Phillips flat-head screw $\frac{1}{4}$ " x $1\frac{3}{16}$ "
Qty: 4



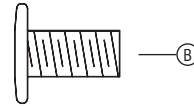
6

9

NOTE: Shelf not included – packed with barbecue module

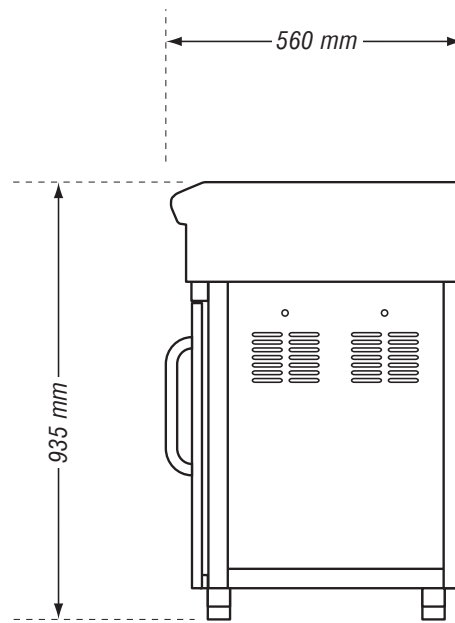
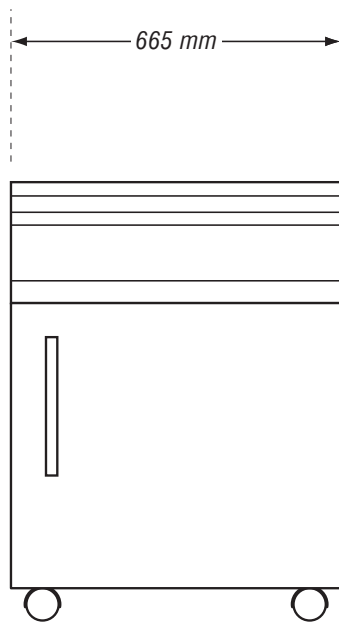


Phillips-head screw $\frac{3}{16}$ " x $1\frac{1}{4}$ "
Qty: 3



Phillips flat-head screw $\frac{1}{4}$ " x $\frac{3}{4}$ "
Qty: 2 (supplied with barbecue)

DIMENSIONS



grandhall

outdoor living style

Grand Hall Europe
PO Box 431
7570 AK Oldenzaal
The Netherlands

www.grandhall.eu

All specifications are subject to change
without notice.

Toutes les caractéristiques sont susceptibles
d'être modifiées sans préavis.

Änderungen ohne vorherige Bekanntgabe
vorbehalten.

Tutti i dati tecnici possono cambiare
senza preavviso.

Alle specificaties kunnen zonder voorafgaande
kennisgeving worden gewijzigd.

Kaikki oikeudet teknisten tietojen
muutoksiin pidätetään.

Kaikki yksityiskohdat voivat muuttua ilman,
etta niistä erikseen ilmoitetaan.

Todas las especificaciones están sujetas a
cambios sin previo aviso.

Todas as especificações estão sujeitas a
alteração sem aviso.

Alle specifikationer kan ændres foruden varsel.

Spesifikasjoner kan endres uten varsel.

Manufacturer:

Grand Hall Enterprises Co. Ltd.
9th Fl. No 298 Rueiguang Rd
Neihu, Taipei, Taiwan